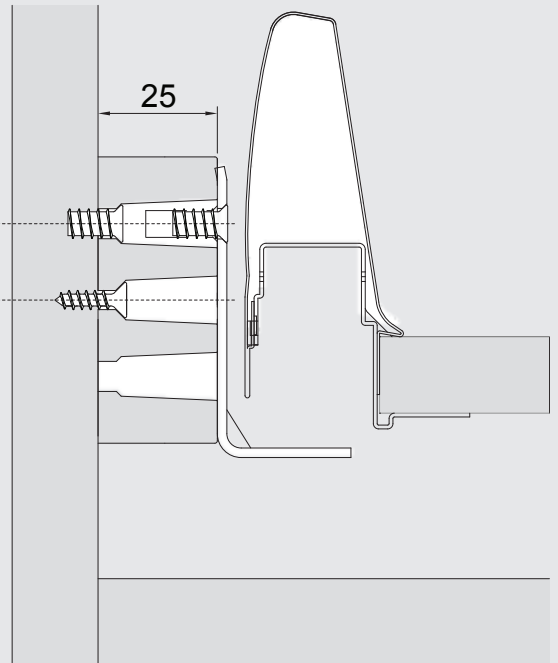
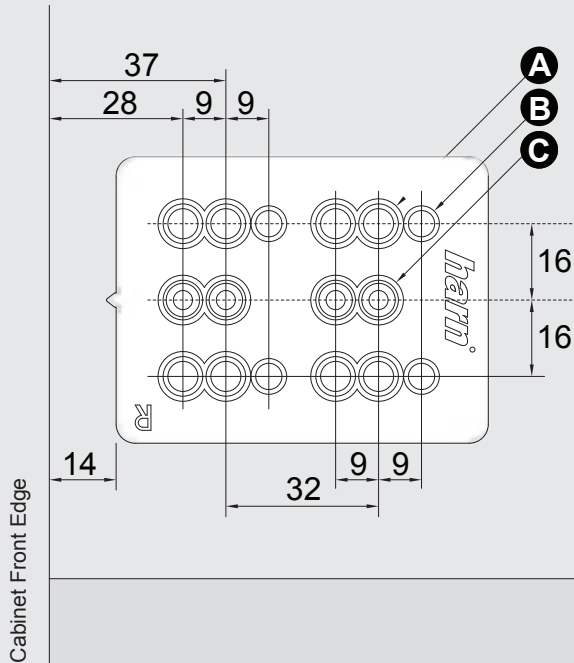


Triomax Spacer 207.00 Installation Guide

- Used to space cabinet profiles away from the cabinet side on internal drawer.
- Use (2)pcs. per cabinet profile.



- A** Euro screw (Article No. 360.145) spacer attachment.
- B** Euro screw (Article No. 360.145) cabinet profile attachment.
- C** Chipboard screw (Article No. 350.170) spacer attachment.

